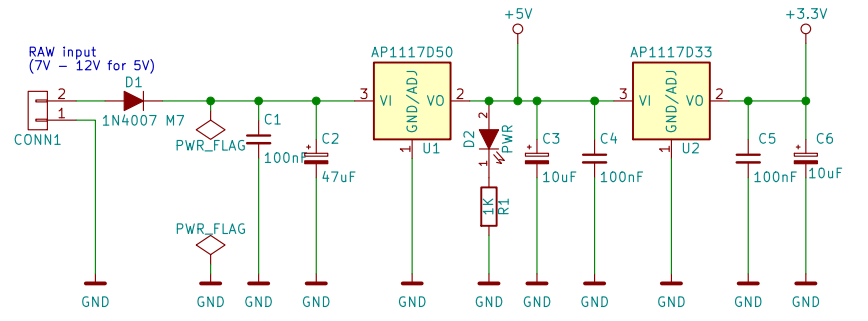
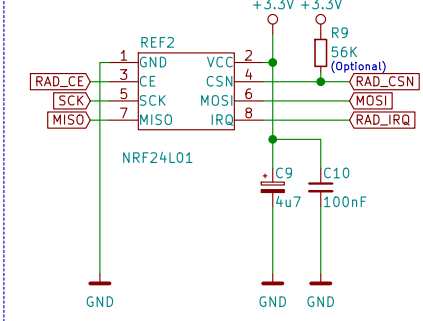


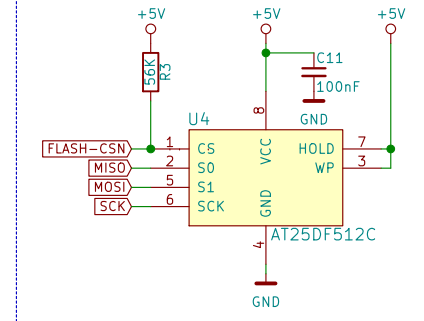
Power supply



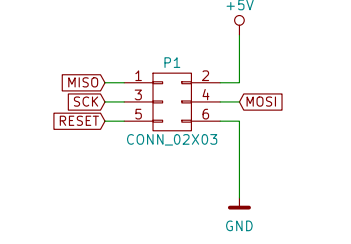
NRF24L01 Radio Module



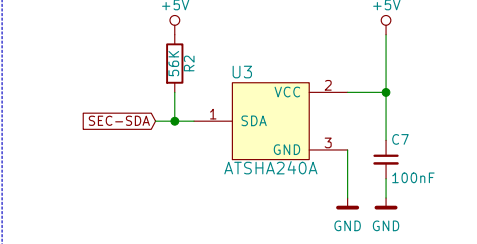
External memory



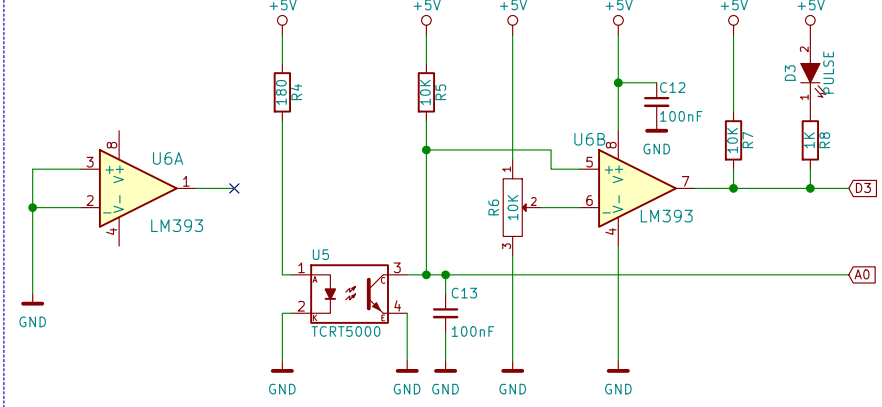
AVR ISP



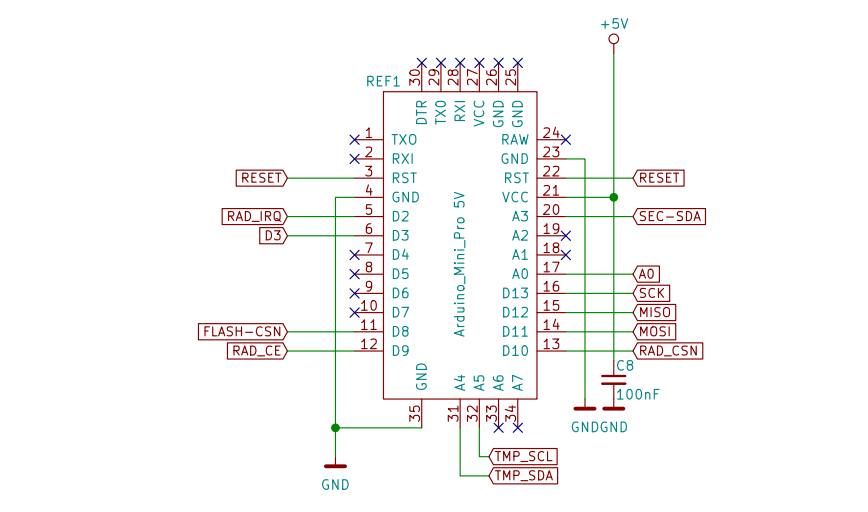
Authentication



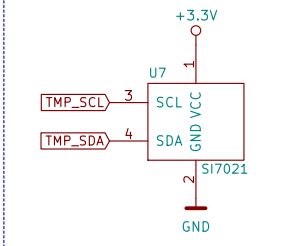
Sensor logic



Arduino Mini-Pro



Temperature sensor (option)



Water meter for Itron Aquadis+

Project:	MySensors Boards			
Author:	R. Bisschops	Size:	A4	
Date:	2017-02-19	Id:	1/1	Sheet: /
Revision:	1.0	File:	Watermeter V1.0.sch	